



Key fobs – Sail

Colours



black
non-transparent



blue transparent
(standard)



green
transparent



red
transparent



yellow
transparent



grey
transparent



LUX-IDent's products

LUX-IDent s.r.o., Tovární 368, 563 01 Lanškroun, Czech Republic
Tel.: +420 465 352 500, Fax: +420 465 352 501, e-mail: sales@lux-ident.com
www.lux-ident.com



A range of applications.

Sail is an attractive key holder in a translucent polycarbonate plastic. Along with the Teardrop, this key fob was created to meet aesthetic requirements while remaining practical and durable. Shaped like a sail and designed to be easily attachable to an ordinary key-ring, the Sail is meant for harsh environments. An attractive alternative to classic contactless cards, Sail is widely used in the access and security control areas. Customers can choose from a range of different colours and chips.

Features

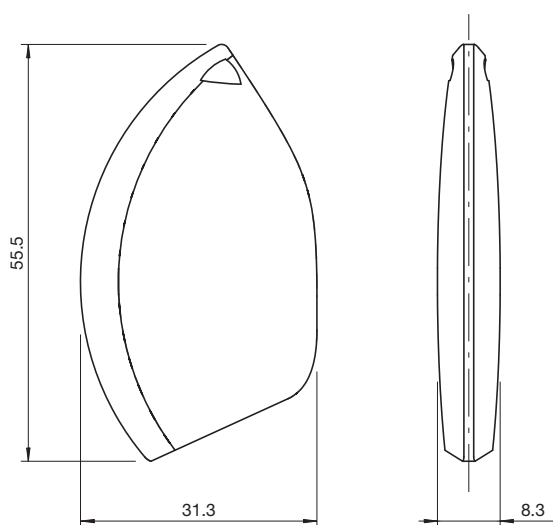
- Material: resistive polycarbonate plastic
- Colours: black, blue, green, red, yellow and grey
- Attractive design
- Humidity: suitable for indoor and outdoor use
- Resistive to dust, dirt and humidity
- Possibility to combine two technologies in one key fob

Available chip technologies

Manufacturer frequency	Chip type
EM Microelectronic	
LF 125 kHz / 134.2 kHz	EM4102, EM4305, EM4450
NXP	
LF 125 kHz / 134.2 kHz	Hitag 1, Hitag 2, Hitag S 256bit, Hitag S 2048bit
HF 13.56 MHz	Mifare: Ultralight, Ultralight C, Mini, Classic 1K, Classic 4K, Desfire 4K V.06, Desfire 2K EV1, Desfire 4K EV1, Desfire 8K EV1, Plus S 2K, Plus S 4K, Plus X 2K, Plus X 4K I-Code: SL1, SLI-L, SLI, SLI-S SmartMX, JCOP
Infineon	
HF 13.56 MHz	Mifare SLE66R35 1K, My-D: SRF55V02P, SRF55V10P, NFC SLE66R16P, NFC SLE66R32P
Atmel	
LF 125 kHz / 134.2 kHz	ATA5575M1, ATA5575M2, ATA5577, Q5
Inside Secure	
HF 13.56 MHz	Picopass 2K, 32K
Legic	
HF 13.56 MHz	Prime MIM256, Prime MIM1024 Advant: ATC128, ATC256, ATC1024, ATC2048, ATC4096

Other ICs are available upon request.

Dimensions



Our keyfobs can be further personalized using laser engraving technology, which guarantees long time stability of the engraved picture. Picture can be accompanied by a logo, continuous or non-continuous numbers or simply any graphic upon customer request.