



# Key fobs – Teardrop

Colours



black (standard)



green



red



yellow



blue



LUX-IDENT's products

LUX-IDENT s.r.o., Tovární 368, 563 01 Lanškroun, Czech Republic  
Tel.: +420 465 352 500, Fax: +420 465 352 501, e-mail: sales@lux-ident.com  
[www.lux-ident.com](http://www.lux-ident.com)



A range of applications.

Teardrop is a well-established, time-tested key fob, designed to be decorative while providing secure identification. Despite its exceptional thinness, Teardrop is designed to withstand a harsh environment and be easily attachable to an ordinary key-ring. Teardrops present an excellent alternative to contactless cards, finding multiple uses within the access and security areas, as they are efficient, practical, convenient and easy to use. Different colours and chips are available for your applications.

### Features

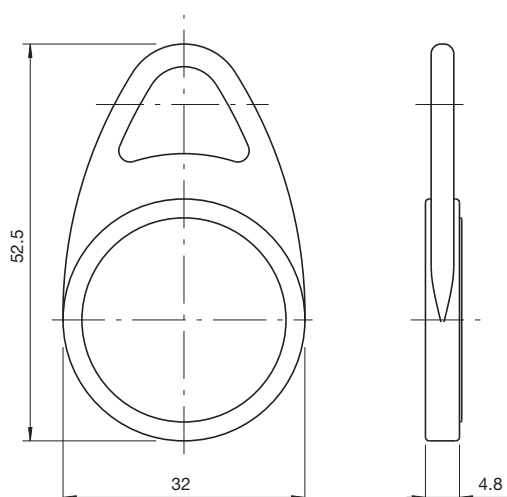
- ABS high impact material
- Colours: black, green, red, yellow and blue
- Humidity: suitable for indoor and outdoor use
- Resistant to dust, dirt and humidity
- Possibility to combine two technologies in one key fob

### Available chip technologies

Manufacturer frequency	Chip type
<b>EM Microelectronic</b>	
LF 125 kHz / 134.2 kHz	EM4102, EM4305, EM4450
<b>NXP</b>	
LF 125 kHz / 134.2 kHz	Hitag 1, Hitag 2, Hitag S 256bit, Hitag S 2048bit
HF 13.56 MHz	Mifare: Ultralight, Ultralight C, Mini, Classic 1K, Classic 4K, Desfire 4K V.06, Desfire 2K EV1, Desfire 4K EV1, Desfire 8K EV1, Plus S 2K, Plus S 4K, Plus X 2K, Plus X 4K I-Code: SL1, SL1-L, SLI, SLI-S SmartMX, JCOP
<b>Infineon</b>	
HF 13.56 MHz	Mifare SLE66R35 1K, My-D: SRF55V02P, SRF55V10P, NFC SLE66R16P, NFC SLE66R32P
<b>Atmel</b>	
LF 125 kHz / 134.2 kHz	ATA5575M1, ATA5575M2, ATA5577, Q5
<b>Inside Secure</b>	
HF 13.56 MHz	Picopass 2K, 32K
<b>Legic</b>	
HF 13.56 MHz	Prime MIM256, Prime MIM1024 Advant: ATC128, ATC256, ATC1024, ATC2048, ATC4096

Other ICs are available upon request.

### Dimensions



Our keyfobs can be further personalized using laser engraving technology, which guarantees long time stability of the engraved picture. Picture can be accompanied by a logo, continuous or non-continuous numbers or simply any graphic upon customer request.