



Key fobs Charm



LUX-IDent s.r.o. – headquarters [production, sales, R & D]
Tovární 368, 563 01 Lanškroun, Czech Republic
Tel.: +420 465 352 500
e-mail: info@lux-ident.com
www.lux-ident.com

LUX-IDent Germany GmbH – branch office [sales, R & D]
Rudolf-Diesel-Ring 21, 82054 Sauerlach, Germany
Tel.: +49 8104 805 502
e-mail: smart-inlays@lux-ident.com
www.lux-ident.com



A range of applications.

Charm is made of synthetic material and massive stainless steel frame.

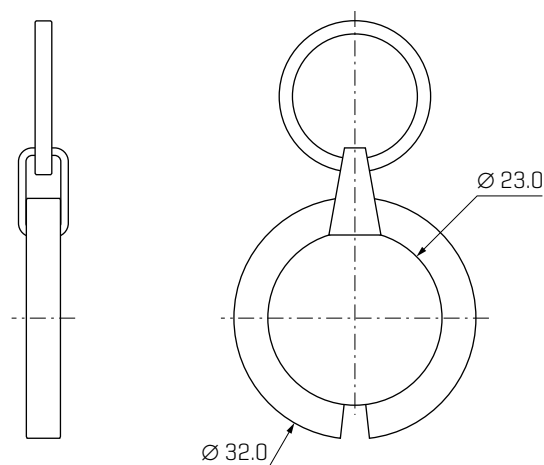
It combines RFID technology with a practical and exclusive key fob housing as an alternative to contactless cards.

The high-tech and high-quality design meets the demanding requirements of clients. Typical applications are access control areas, sports clubs and gyms.

FEATURES

- Material: synthetic body and polished stainless steel frame
- Colours: white, blue, red, green, yellow
- Humidity resistance: suitable for indoor and outdoor use
- Resistant to dust, dirt and humidity
- Possibility of combining two technologies in one key fob
- The product can be personalized by full colour printing or long-lasting laser engraving, using your logo, a number or any graphic motive

DIMENSIONS [mm]



AVAILABLE CHIP TECHNOLOGIES

Manufacturer frequency	Chip type
EM Microelectronic	
LF 125 /134.2 kHz	EM4102, EM4200, EM4305, EM4450
NXP	
LF 125 /134.2 kHz	Hitag® 1, Hitag® 2, Hitag® S 256bit, Hitag® S 2048bit
HF 13.56 MHz	MIFARE Ultralight® C, MIFARE Ultralight® EV1, MIFARE Classic® 1K EV1, MIFARE Classic® 4K EV1, MIFARE® DESFire® 256B EV1, MIFARE® DESFire® 2K EV1/EV2, MIFARE® DESFire® 4K EV1/EV2, MIFARE® DESFire® 8K EV1/EV2, MIFARE Plus® SE, MIFARE Plus® S 2K, MIFARE Plus® S 4K, MIFARE Plus® X 2K, MIFARE Plus® X 4K, MIFARE Plus® EV1 2K, MIFARE Plus® EV1 4K I-Code® SLIX NTAG213, NTAG215, NTAG216 SmartMX (JCOPI)
Infineon	
HF 13.56 MHz	NRG SLE66R35 1K
Microchip – Atmel	
LF 125 /134.2 kHz	ATA5575M1, ATA5575M2, ATA5577, Q5
LEGIC®	
HF 13.56 MHz	Prime: MIM256, MIM1024 Advant: ATC256-MV410, ATC1024-MV110, ATC1024-MV010, ATC4096-MP311 CTC 4096-MP410, CTC 4096-MM410
Silicon Craft	
LF 125 /134.2 kHz	SIC7999 (HDX)

Other ICs are available upon request.



Our key fobs can be further personalized using laser engraving technology or using full colour printing (high resolution inkjet printing). Laser engraving technology guarantees long time stability of the engraved picture. Picture can be accompanied by a logo, continuous or non-continuous numbers or simply any graphic upon customer request.