



Key fobs Smart



Colours



LUX-Ident s.r.o. – headquarters [production, sales, R & D]
Tovární 368, 563 01 Lanškroun, Czech Republic
Tel.: +420 465 352 500
e-mail: info@lux-ident.com
www.lux-ident.com

LUX-Ident Germany GmbH – branch office [sales, R & D]
Rudolf-Diesel-Ring 21, 82054 Sauerlach, Germany
Tel.: +49 8104 805 502
e-mail: smart-inlays@lux-ident.com
www.lux-ident.com



A range of applications.

The Key fob Smart is very robust and withstands high stress.

Thanks to ultrasonic welding the Smart is waterproof and most suitable for swimming pools and leisure parks.

The Smart can be personalized by full color printing, long-lasting laser engraving or even their combination, such as a printed logo and a laser-engraved serial number. The drop form enables an easy attachment to a key ring.

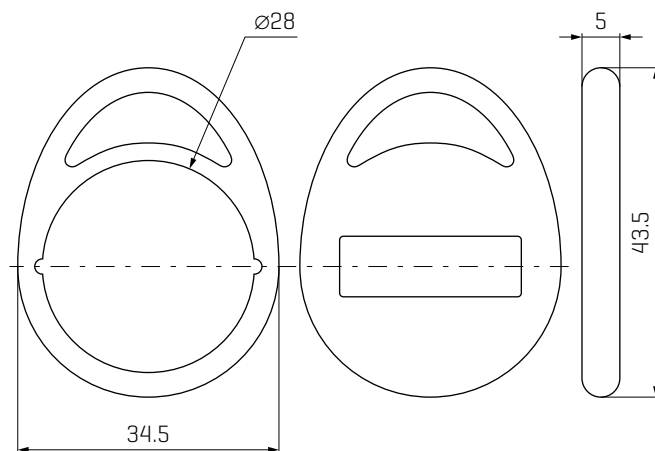
The Smart is an ideal alternative to the contactless card.

FEATURES

- Material: ABS Novodur plastic
- Colours: black, blue, green, red, orange, yellow, silvergrey, white
- Operating temperature: -25°C to 50°C
- Humidity resistance: waterproof thanks to ultrasonic welding
- Resistant to dust, dirt and humidity
- Possibility of combining two technologies in one key fob

DIMENSIONS

[mm]



AVAILABLE CHIP TECHNOLOGIES

Manufacturer	Chip type
EM Microelectronic	
LF 125 /134.2 kHz	EM4102, EM4200, EM4305, EM4450
NXP	
LF 125 /134.2 kHz	Hitag® 1, Hitag® 2, Hitag® S 256bit, Hitag® S 2048bit
HF 13.56 MHz	MIFARE Ultralight® C, MIFARE Ultralight® EV1, MIFARE Classic® 1K EV1, MIFARE Classic® 4K EV1, MIFARE® DESFire® 256B EV1, MIFARE® DESFire® 2K EV1/EV2, MIFARE® DESFire® 4K EV1/EV2, MIFARE® DESFire® 8K EV1/EV2, MIFARE Plus® SE, MIFARE Plus® S 2K, MIFARE Plus® S 4K, MIFARE Plus® X 2K, MIFARE Plus® X 4K, MIFARE Plus® EV1 2K, MIFARE Plus® EV1 4K I-Code® SLIX NTAG213, NTAG215, NTAG216 SmartMX (JCOP)
Infineon	
HF 13.56 MHz	NRG SLE66R35 1K
Microchip – Atmel	
LF 125 /134.2 kHz	ATA5575M1, ATA5575M2, ATA5577, Q5
LEGIC®	
HF 13.56 MHz	Prime: MIM256, MIM1024 Advant: ATC256-MV410, ATC1024-MV110, ATC1024-MV010, ATC4096-MP311 CTC 4096-MP410, CTC 4096-MM410
Silicon Craft	
LF 125 /134.2 kHz	SIC7999 (HDX)

Other ICs are available upon request.



Our key fobs can be further personalized using laser engraving technology or using full colour printing (high resolution inkjet printing). Laser engraving technology guarantees long time stability of the engraved picture. Picture can be accompanied by a logo, continuous or non-continuous numbers or simply any graphic upon customer request.