

# Key fobs

## Teardrop



### Colours



black (standard)



green



red



yellow



blue



**LUX-Ident s.r.o.** – headquarters [production, sales, R & D]  
Tovární 368, 563 01 Lanškroun, Czech Republic  
Tel.: +420 465 352 500  
e-mail: [info@lux-ident.com](mailto:info@lux-ident.com)  
[www.lux-ident.com](http://www.lux-ident.com)

**LUX-Ident Germany GmbH** – branch office [sales, R & D]  
Rudolf-Diesel-Ring 21, 82054 Sauerlach, Germany  
Tel.: +49 8104 805 502  
e-mail: [smart-inlays@lux-ident.com](mailto:smart-inlays@lux-ident.com)  
[www.lux-ident.com](http://www.lux-ident.com)



A range of applications.

## Teardrop is a well-established, time-tested key fob, designed to be decorative while providing secure identification.

Despite its exceptional thinness, Teardrop is designed to withstand a harsh environment and be easily attachable to an ordinary key-ring. Teardrops present an excellent alternative to contactless cards, finding multiple uses within the access and security areas, as they are efficient, practical, convenient and easy to use.

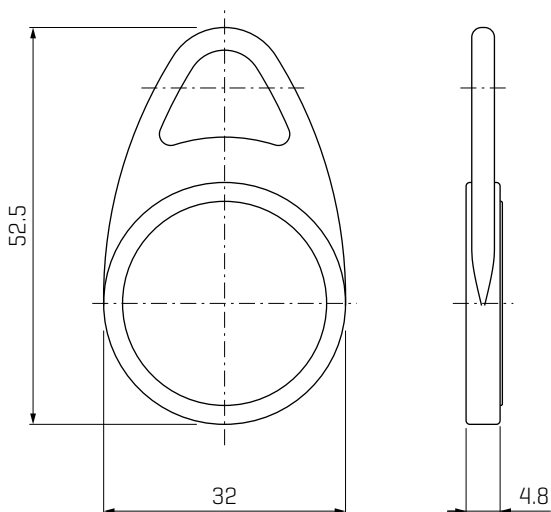
Different colours and chips are available for your applications.

### FEATURES

- Material: Polyamide – high impact material
- Colours: black, blue, green, red and yellow
- Operating temperature: -25 °C to 50 °C
- Humidity resistance: suitable for indoor and outdoor use
- Resistant to dust, dirt and humidity
- Possibility of combining two technologies in one key fob
- The product can be personalized by full colour printing or long-lasting laser engraving, using your logo, a number or any graphic motive

### DIMENSIONS

[mm]



### AVAILABLE CHIP TECHNOLOGIES

Manufacturer frequency	Chip type
<b>EM Microelectronic</b>	
LF 125 /134.2 kHz	EM4102, EM4200, EM4305, EM4450
<b>NXP</b>	
LF 125 /134.2 kHz	Hitag® 1, Hitag® 2, Hitag® S 256bit, Hitag® S 2048bit
HF 13.56 MHz	MIFARE Ultralight® C, MIFARE Ultralight® EV1, MIFARE Classic® 1K EV1, MIFARE Classic® 4K EV1, MIFARE® DESFire® 256B EV1, MIFARE® DESFire® 2K EV1/EV2, MIFARE® DESFire® 4K EV1/EV2, MIFARE® DESFire® 8K EV1/EV2, MIFARE Plus® SE, MIFARE Plus® S 2K, MIFARE Plus® S 4K, MIFARE Plus® X 2K, MIFARE Plus® X 4K, MIFARE Plus® EV1 2K, MIFARE Plus® EV1 4K I-Code® SLIX NTAG213, NTAG215, NTAG216 SmartMX (JCOP)
<b>Infineon</b>	
HF 13.56 MHz	NRG SLE66R35 1K
<b>Microchip – Atmel</b>	
LF 125 /134.2 kHz	ATA5575M1, ATA5575M2, ATA5577, Q5
<b>LEGIC®</b>	
HF 13.56 MHz	Prime: MIM256, MIM1024 Advant: ATC256-MV410, ATC1024-MV110, ATC1024-MV010, ATC4096-MP311 CTC 4096-MP410, CTC 4096-MM410
<b>Silicon Craft</b>	
LF 125 /134.2 kHz	SIC7999 (HDX)

Other ICs are available upon request.



Our key fobs can be further personalized using laser engraving technology or using full colour printing (high resolution inkjet printing). Laser engraving technology guarantees long time stability of the engraved picture. Picture can be accompanied by a logo, continuous or non-continuous numbers or simply any graphic upon customer request.